



KABA[®]

Product Facts

Easy Entrance TPB-M04

Admission system with cashier function

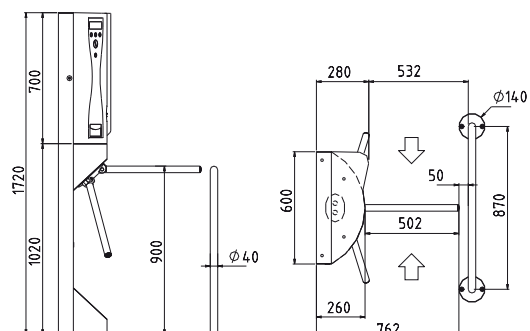
Basic Equipment

Light



standard GRP-door coloured with gel coat according to RAL 5012 (light blue)

Construction	usable crossbar length	532
	width	762
	height	1720
	depth	805
	material	stainless steel AISI 304. automate's door of GRP with labels in high performance vinyl
	basic equipment	control, display, coin changer, open coin collector, identical locking system at automat and cashier unit doors
	passage enclosure	optional pedestrian guiding bar or on-site wall
Finish		stainless steel satin finish. GRP coloured with gel coat according to RAL 5012 (light blue)
Function	crossbars	rigid
		controlled admission by coin payment, user instructions via display. display languages and rates adjustable
Electric		type 2 power assisted motion; servo-positioning drive / 2 directions electrically controlled
		report printer (paper output inside housing)
Installation		control system integrated in the unit
		power supply 110 - 230 VAC 50/60 Hz
		dowelled on finished floor level FFL not suitable for outdoor installation!
Accessories		one voucher paper roll in KABA design (max. 80 g/m ²) per unit included in delivery



Standard

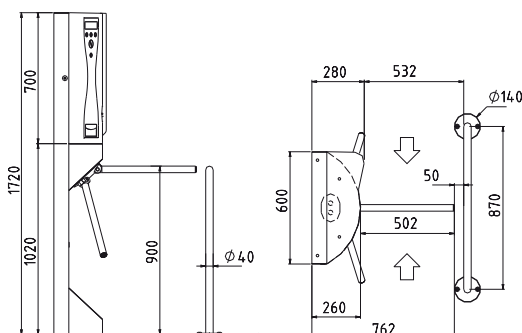


without extra charge GRP-door coloured with gel coat according to RAL 7043 (traffic grey B)

532
762
1720
805

stainless steel AISI 304.
automate's door of GRP with labels in high performance vinyl control, display, coin changer, open coin collector, identical locking system at automat and cashier unit doors
optional pedestrian guiding bar or on-site wall
stainless steel satin finish.
GRP coloured with gel coat according to RAL 5012 (light blue)
rigid
controlled admission by coin payment, user instructions via display.
display languages and rates adjustable
type 2 power assisted motion; servo-positioning drive / 2 directions electrically controlled.
printer for tickets (e.g. payback coupon system) and reports

card reader Mifare with seven Mifare-cards (standard layout):
3 cards function single entrance,
2 cards free passage, 2 cards report
control system integrated in the unit
power supply 110 - 230 VAC 50/60 Hz
dowelled on finished floor level FFL
not suitable for outdoor installation!
one voucher paper roll in KABA design (max. 80 g/m²)
per unit included in delivery (in case of optional printer with presenter and cutter paper roll 140 g/m²)



Premium

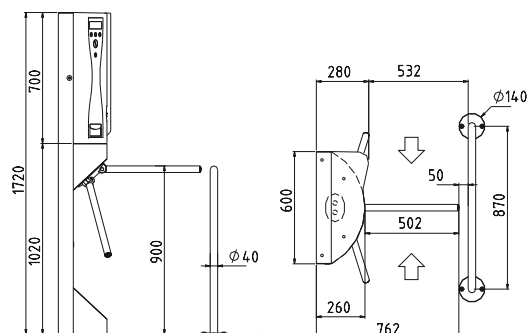


for example option special colour of GRP-door (e.g. RAL 3020 traffic red)

532
762
1720
805

stainless steel AISI 304.
automate's door of GRP with labels in high performance vinyl control, display, coin changer, open coin collector, identical locking system at automat and cashier unit doors
optional pedestrian guiding bar or on-site wall
stainless steel satin finish.
GRP coloured with gel coat according to RAL 5012 (light blue)
collapsible
controlled admission by coin payment, user instructions via display.
display languages and rates adjustable
type 2 power assisted motion; servo-positioning drive / 2 directions electrically controlled.
printer plus additional cutter for tickets (e.g. payback coupon system) and reports

draw-in reader Mifare and bar code with seven Mifare-cards (standard layout):
3 cards function single entrance,
2 cards free passage, 2 cards report
control system integrated in the unit
power supply 110 - 230 VAC 50/60 Hz
dowelled on finished floor level FFL
not suitable for outdoor installation!
one voucher paper roll in KABA design (max. 140 g/m²)
per unit included in delivery

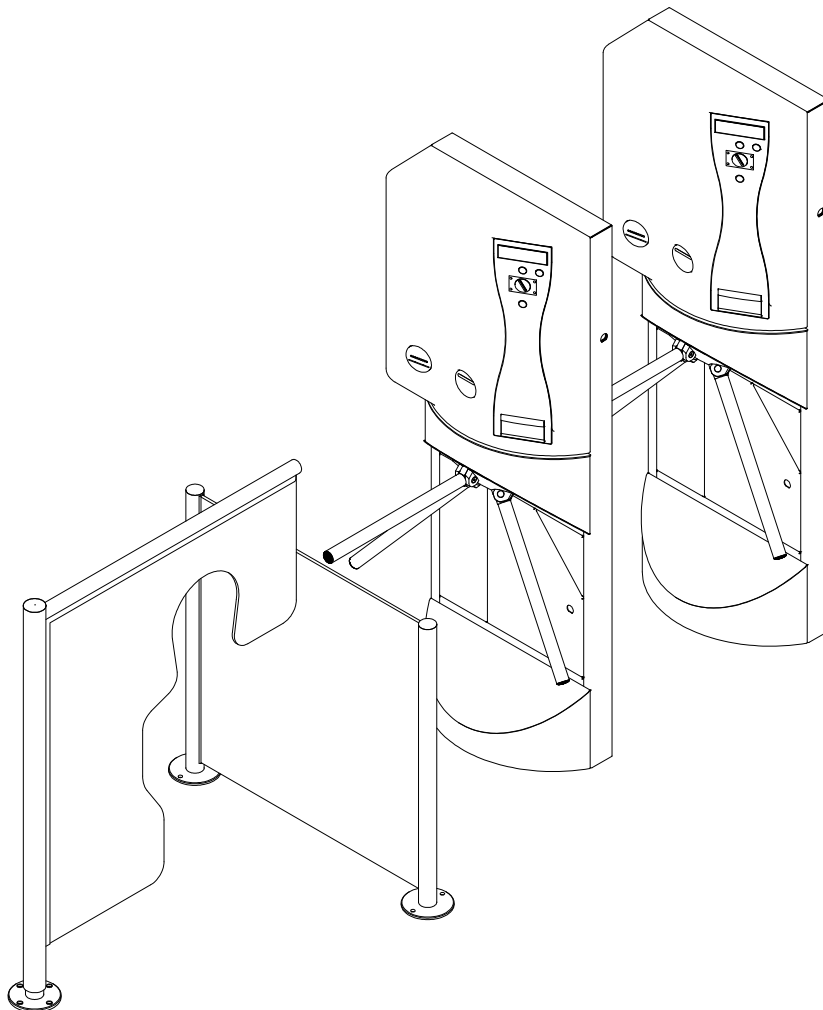


Options for TPB-M04

	Light	Standard	Premium
Construction			
coin collector with or without lock	•	•	•
different locking systems for automat and cashier unit doors	•	•	•
Finish			
GRP-door in RAL 7043 (traffic grey B) without extra charge	•	•	•
GRP-door in a colour differing to RAL 5012 and RAL 7043 on request		•	•
Function			
setup additional tariffs including additional ticket layout, amendment of report, push-button to choose tariff	•	•	•
collapsible bars	•	•	
logo printable (individual logo on ticket paper roll.)			
Electric			
networking units		•	•
thermal printer with presenter	•		
thermal printer with presenter and cutter		•	
coin changer with additional currency	•	•	•
card reader Mifare with seven Mifare-cards (standard layout): 3 cards function single entrance, 2 cards free passage, 2 cards report	•		
draw-in reader Mifare with or without bar code with seven Mifare-cards (standard layout): 3 cards function single entrance, 2 cards free passage, 2 cards report		•	
Mifare-cards in standard or customer's layout	•	•	•
Installation			
palette with stainless steel ramp	•	•	•
Accessory			
ticket paper 80 g/m ² with standard print	•	•	•
ticket paper 140 g/m ² with standard print (depending on printer)		•	•
printer cleaning set and pair of scissors	•	•	•
Service			
modifications of configuration and layout	•	•	•

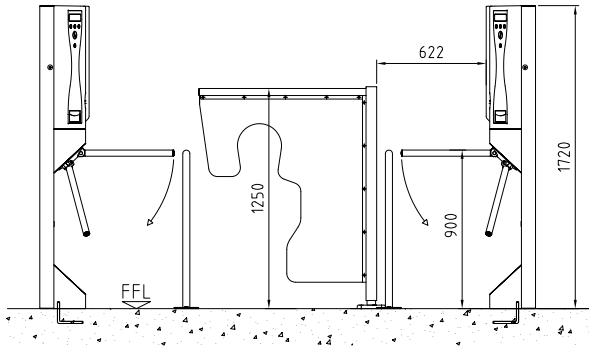
Comparison chart of features

	Light	Standard	Premium
use of Mifare-cards by means of card reader	option	✓	✓
use of Mifare-cards by means of draw-in reader	✗	option	✓
acceptance of bar code tickets by means of draw-in reader	✗	option	✓
print out of reports (paper max. 80 g/m ²)	✓	✓	✓
print out of tickets by means of presenter (paper max. 80 g/m ²)	option	✓	✓
print out of tickets by means of presenter (paper max. 140 g/m ²)	✗	option	✓
fold-down bars	option	option	✓
integration of logos	option	option	✓
networking units	✗	option	option
further gel coat colours on request	✗	✓	✓
use of several tariffs	option	option	✓

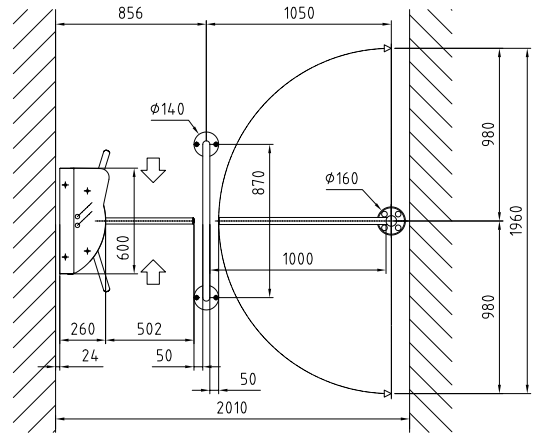
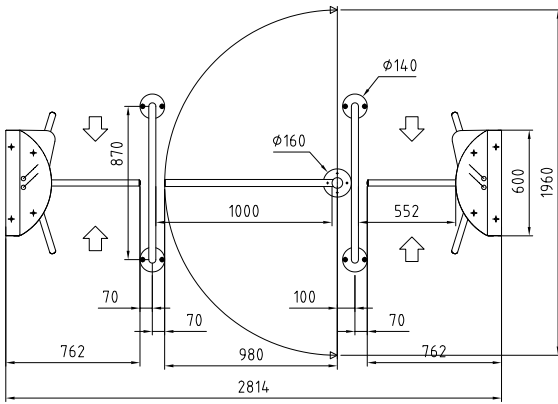
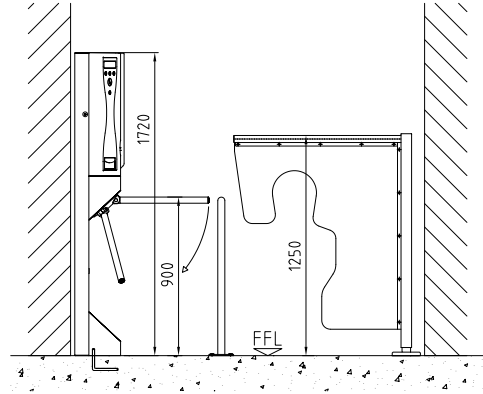


Installation examples

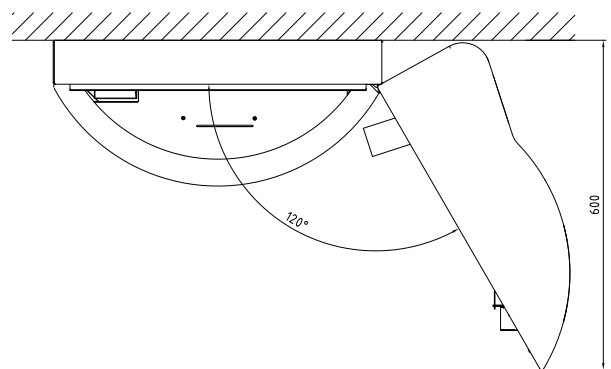
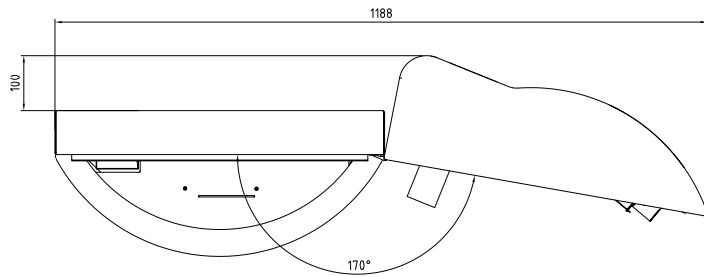
example 1



example 2



automate's door opened



The logo for KABA, featuring the word "KABA" in a bold, stylized, blue font with a registered trademark symbol (®) to the upper right of the letter "A".

KABA®

Kaba Gallenschütz GmbH
Nikolaus-Otto-Strasse 1
77815 Bühl
Germany
Tel. +49 (0) 7223/286-0
Fax +49 (0) 7223/286-111
info@kgb.kaba.com

www.kaba-gallenschuetz.de